

**CORRIGENDUM No. 1**

**Sub: Renovation of 3rd, 4th, 5th, & 6th Floor of Service Block-including Civil, Plumbing, Furniture, Electrical, HVAC & Fire fighting system work at MDL, Mumbai.**

**Ref: Tender No. 180000038 dated 20 April' 17**

The following points shall be considered by the bidder(s) before submission of final offer for the subject tender.

Item No. of TEF Vol-III	Item Description	Page No.	Queries form Bidder	Additional Description (To be added in respective item description)
69	Providing and applying Oikos or equivalent make internal textured paint of approved shade and colour etc. complete	29 of Vol-III	Please confirm if the basic rate gives are including taxes delivered at site	The Basic rates are including all other taxes, except WCT under VAT & Service Tax.
85	Providing & fixing SS signages out of 6mm thick polycarbonate coloured back panel with 2mm thick perforated SS plate with CNC cut with necessary hardware for fitting etc. complete as directed.	33 of Vol-III	Sizes required	Stainless steel plate fixed with studs of various sizes (to be in sqm. for flexibility of execution.)
86	Providing & fixing Dustbin of approved make, shade & type etc. complete.	33 of Vol-III	Sizes & material specification required (Plastic/SS/MS, perforated/non perforated)	Liters: 5, S.S. Dustbin. Perforated, 7 X10
87	Supplying & fixing in position, 'Aquaguard' water purifier of Eureka forbes make including making necessary inlet and outlet, electrical connection etc complete. (Model No. Aquaguard Enhance UV+UF Water Purifier)	33 of Vol-III	Capacity Required	Dr. Aquaguard magma NXT HD RO + UV + MTDS, 7 LTRS
103	Design as per technical specifications and obtaining approval of drawings prior to manufacturing, manufacture, insure, pack with PVC sheets, transport to site, unload, store, erect in proper position, testing and commissioning of following Panel cubicles. The panels shall be front operated, dead back having Bottom Main Bus bars &	37 of Vol-III	SLD Required	Refer attached Drawings Drg No. 1.INI-MD-SER-BLO-EL-HVAC-PNL-01  2.INI-MD-SER-BLO-EL-LTP-SLD-01  3.INI-MD-SER-BLO-EL-HVAC-SLD-01



<p>Top Cable entry and exit, fabricated using 14 gauge CRCA sheet steel for main frame, door and partitions, dust and vermin proof lockable doors and carrying the control wiring using approved make FR colour coded Wires of minimum 2.5 sq.mm and using approved make push on terminals. The panel shall be floor mounting type, all complete with interconnections by using aluminium Bus Bars of 99.95% purity, colour coded heat shrinkable PVC sleeves. The Panel shall be painted with Powder Coated granular finished painting with 7 tank painting process and further treated with aluzinc coating to withstand the site environment conditions with shade No. RAL 7032 from inside and outside all complete as per drawings, technical specifications and final approval of Consultant.</p> <p><b>Note :- HVAC panel shall be of IP65.</b></p> <p><b>HVAC Panel :- (Location :- Terrace Floor):</b></p> <p>--Panel shall be provided with 100W, 230V space heater &amp; lamp holder with limit switch.</p> <p>--Panel shall be provided with 6A Switch Socket.</p> <p><b>Incomer Section :</b></p> <p>1 No., of 315 Amps., Four Pole, Microprocessor based Moulded Case Circuit Breaker with built in over-current, short circuit and earth fault releases. Icu=Ics=10 kA for 1sec. The breaker shall be provided with BMS connectivity port, shunt trip coil with all necessary accessories. The breaker shall be ready to hook with BMS system.</p> <p><b>Metering Section :</b></p> <p>1 No., CT Operated load manager of approved make. The Load manager should have Ammeter, Voltmeter, kWh, kVAR, Power Factor &amp; Frequency meter with RS-485 port ready.</p> <p><b>Indication Section For Incoming Section :</b></p> <p>--3 Nos., Phase Indicating lamps, Led type of approved make.</p>			
--	--	--	--




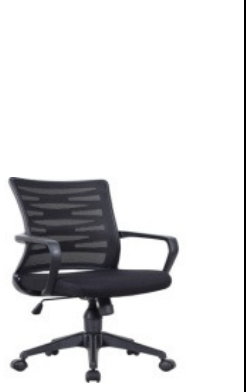


<p>--3 Nos., One Red and One Green and One Amber Led type lamps for indicating MCCB is in 'ON' or 'OFF' or 'TRIP' position.</p> <p><b>Current Transformers For Incoming Section :</b> 3 Nos. of 315/5 Amps Cast Resin type Current Transformers, having 10 VA burden and Class-1 accuracy for metering purpose.</p> <p><b>Bus bars :-</b> 315 Amps uniformly rated, continuous duty, 415 V AC, 3 Phase and Neutral Aluminium Bus-bars having SC withstand capacity of 10 kA for 1 sec, with colour coded heat shrink sleeves supported on SMC type grip supports. The Horizontal / Vertical sections of the busbars should all be uniformly rated for 315 Amps.</p> <p><b>Out goings :-</b> --3 No., of 63 Amps., TPN,MCB &amp; RCCB (300mA) Circuit Breaker with built in over-current, short circuit releases. Icu=Ics=10 kA for 1sec. 10kw (12 HP), 10kw(12 HP) &amp; 14.5kw(18 HP) VRF UNIT_3RD Floor ).The breaker shall be provided with BMS connectivity port, shunt trip coil with all necessary accessories. The breaker shall be ready to hook with BMS system.</p> <p>--9 No., of 63 Amps., TPN,MCB &amp; RCCB (300mA) Circuit Breaker with built in over-current, short circuit releases. Icu=Ics=10 kA for 1sec. 3 Nos. 16kw (20 HP) VRF UNIT_4th, 5th &amp; 6th Floor ). The breaker shall be provided with BMS connectivity port, shunt trip coil with all necessary accessories. The breaker shall be ready to hook with BMS system.</p> <p>--4 No., of 63 Amps., TPN,MCB &amp; RCCB (300mA) Circuit Breaker with built in over-current, short circuit releases. Icu=Ics=10 kA for 1sec. The breaker shall be provided with BMS connectivity port, shunt trip coil with all necessary accessories. The breaker shall be ready to hook</p>			
---	--	--	--




	with BMS syst			
113,166 ,213,26 0	SITC of motion sensors for light & AC contol inside the closed cabin of approved make.	40,47,55 & 62 of Vol- III	Approval make and technical specification or details required	Honeywell/Lutro n/Schneider. It should take two input like AC & lighting.
116,169 ,216,26 3	SITC of battery operated call bell system with receiver unit with indicator & buzzing sound of approved make.	40,48,55 & 62 of Vol- III	Approval make and technical specification or details required	<b>Make-</b> Its wireless call bell system: forbix semicon/ Gold metal.
158,205 ,252,29 9	Supplying, installing, testing & commissioning of 600 VA Digital pure sine wave inverter based on IGBT technology single phase 230V,50 Hz complete as per specification no. AP-INV (Without batteries)	46,53,61 & 68 of Vol- III	APC/EMERSON DO not manufacture inverter. Please advice on other make	<b>Make-</b> XSI/ APC/ MICROTECH
General query	Light fitting	-	Approved make list is required	<b>Make-</b> Havells/ wipro/ Philips/ Gemini global/ value lighting design
320,343 ,366,39 1	Supply, connection, testing and commissioning of 60 inch LED TV. with Digital Screen Size 60 inches Display Type LED Smart Capable Device is able to run apps installed on the device when connected to the internet or data network. Number Of HDMI Inputs2	69,71,73 & 75 of Vol- III	Approved make list is required	<b>Make-</b> Sony/ Samsung/L.G.
321,344 ,367,39 1	Supply, connection, testing and commissioning of Projectors.LCD ("Liquid Crystal Display") projectors have traditionally displayed rich color saturation and image sharpness. The term LCD projector encompasses all models using LCD technology.	69,71,73 & 75 of Vol- III	Approved make list is required	<b>Make-</b> EPSON/ Panasonic/ Sony
494	Chairs: Supplying and fixing chairs with height adjustable armrest with side swivel, chrome legs with Nylon castor, adjustable lumber support, Hydraulic adjustment height, tilt	86 of Vol- III	Image required	



	adjustment and tilt locking, adjustable thigh support, adjustable headrest with coat hanger arrangement, sliding seat with 12mm thick plywood base with leatherite/fabric and moulded PU foam infill etc. complete as per approved by Architect. (CH-1-GM Chairs)			
495	Supplying and fixing chairs with height adjustable armrest with side swivel, chrome legs with Nylon castor, adjustable lumbar support, Hydraulic adjustment height, tilt adjustment and tilt locking, adjustable thigh support, adjustable headrest, sliding seat with 12mm thick plywood base with leatherite/fabric and moulded PU foam infill etc. complete as per approved by Architect. (CH-2-PA, AGM, DGM,Head of CSR Chairs)	86 of Vol-III	Image required	
496	Chairs: Supplying and fixing chairs with height adjustable armrest with side swivel, chrome legs with Nylon castor, adjustable lumbar support, Hydraulic adjustment height, tilt adjustment and tilt locking, thigh support, sliding seat with 12mm thick plywood base with leatherite/fabric and moulded PU foam infill etc. complete as per approved by Architect. (CH-3-Linear & angular workstations, reception Chairs)	86 of Vol-III	Image required	
497	Chair- Supplying and fixing chairs with height armrest with side swivel, chrome legs with Nylon castor, fixed lumbar support, Hydraulic adjustment height, fixed handles, seat with 12mm thick plywood base with leatherite/fabric and moulded PU foam infill etc. complete as per approved by Architect. (CH-4-Visitors Chairs)	87 of Vol-III	Image required	



498	Chairs: Supplying and fixing chairs with height adjustable armrest with side swivel, chrome legs with Nylon castor, adjustable lumbar support, Hydraulic adjustment height, tilt adjustment and tilt locking, thigh support, sliding seat with 12mm thick plywood base with leatherite/fabric and moulded PU foam infill etc. complete as per approved by Architect. (CH-5-Conference Chairs)	87 of Vol-III	Image required	
499	--Supplying and fixing Two seater wooden sofa set of size 1790X770X490/740mm high with elastic belt in seat & back, Steel legs, PU foam of 32 density in seat & back, PU leather with approved colour etc. complete as per drawing. (Make - Pitroda Furniture/Burosys/Meraj Marketing)	87 of Vol-III	Image required	Should match Specification and approval from consultant & MDL shall be obtained before procurement.
500	Chair-Providing and fixing 600mm dia. & 600mm high Side table with SS Base & frame with 10mm thick toughened glass etc. complete.	87 of Vol-III	Image required	Should match Specification and approval from Consultant & MDL shall be obtained before procurement.
General Query	Modular furniture, Chairs, Loose Furniture	10 of Vol-III	Can we quote considering our own brand?	Yes, but should match more less the specification in tender & approval from consultant & MDL shall be obtained before procurement.
General Query	Point wiring	-	In BOQ it is FR and in specification it is FRLS. Please clarify	Consider BOQ specs for wire i.e. FR
General Query	Cable Trays	-	Specification given in the BOQ are not matching with technical specification.	Consider BOQ specification for cable tray



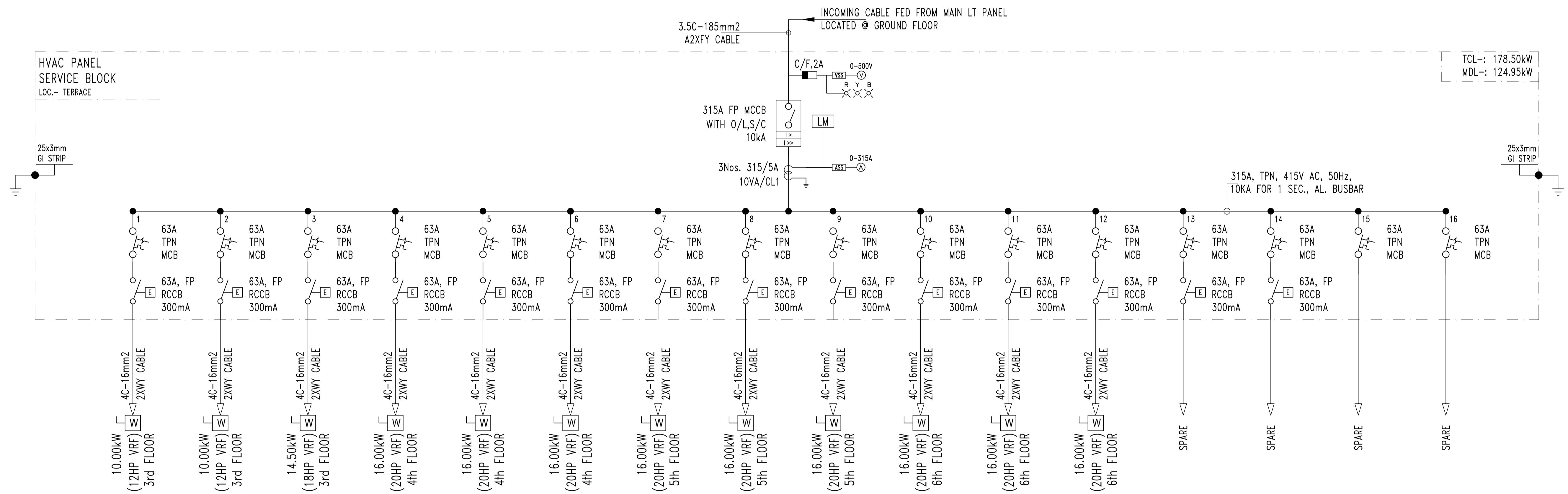
General Query		-	Scope of any special approval/laisoning	Not Applicable
General Query		-	Working time restriction for site execution	Working time restrictions refer Cl. No: 07 Pg no: 08 of Procedure for Issue of Entry Pass at our website <a href="http://www.mazdock.com">www.mazdock.com</a> ---> Tenders --> Infra-Projects ---> STACS/Format and refer clause no: 11.2 of Tender Enquiry Form Vol-II
General Query		-	Availability of lift for material & labour movement	Bidder shall make their own arrangement for material & labour movement.

2. The closing date of the Tender is extended to **06 June' 2017 at 1430 hrs** and Opening date of the Tender extended to **07 June' 2017 at 1430 hrs.**
3. All other terms & conditions remain unaltered.
4. The Corrigendum-I as above, duly signed & stamped, shall be scanned and submitted along with Techno-commercial Bid (PART-I) of the offer.

**Signature of Contractor**

**Seal**

**Date**



No.	DATE	DESCRIPTION	DRN	CHK
R2	06.01.2017	REVISED AS PER COMMENTS	RDY	HR
R1	21.12.2016	REVISED AS PER COMMENTS	RDY	HR
RO	02.12.2016	ISSUED FOR APPROVAL	SJN	HR

KEYPLAN

PROJECT  
MAZGAON DOCK HOUSE OFFICE BUILDING

CLIENT  
MAZGAON DOCK SHIPBUILDERS LTD  
AT MUMBAI

MEP CONSULTANTS  
**INI INFRASTRUCTURE & ENGINEERING**  
 (Formerly Sheth Techno Consultants)  
 72, Tandon, Corporate Road, Satellite, Ahmedabad 380015  
 Phone: +91 79 40028511/12/13 Fax: +91 79 40028573  
 email: Engineering@inigroups.com  
 www.inigroups.com  
 Ahmedabad | Mumbai | Pune | Kolkata  
 Mumbai Office  
 INI INFRASTRUCTURE & ENGINEERING  
 (Formerly Sheth Techno Consultants)  
 613, Sakinaka, Sakinaka East  
 Sakinaka, Near Pimpri-Pune, Opp. Central Theater,  
 27, Andheri East Road, Andheri East, Mumbai-400 058  
 Phone: +91 22 4213 2021, 4120 2197

ARCHITECT  
**RATAN J. BATLIBOI-ARCHITECTS PVT. LTD.**  
 223-D BHARAT RICE MILL COMPOUND  
 DR. S.S. ROAD, LAUBAGIS, MUMBAI 400 012  
 T.E.L : 91-22-40640000 FAX: 91-22-40640099

INI PROJECT No. :  
 PARCEL NAME :  
 BUILDING NAME :

DRAWING TITLE  
**SERVICE BLOCK  
 HVAC PANEL  
 SINGLE LINE DIAGRAM**

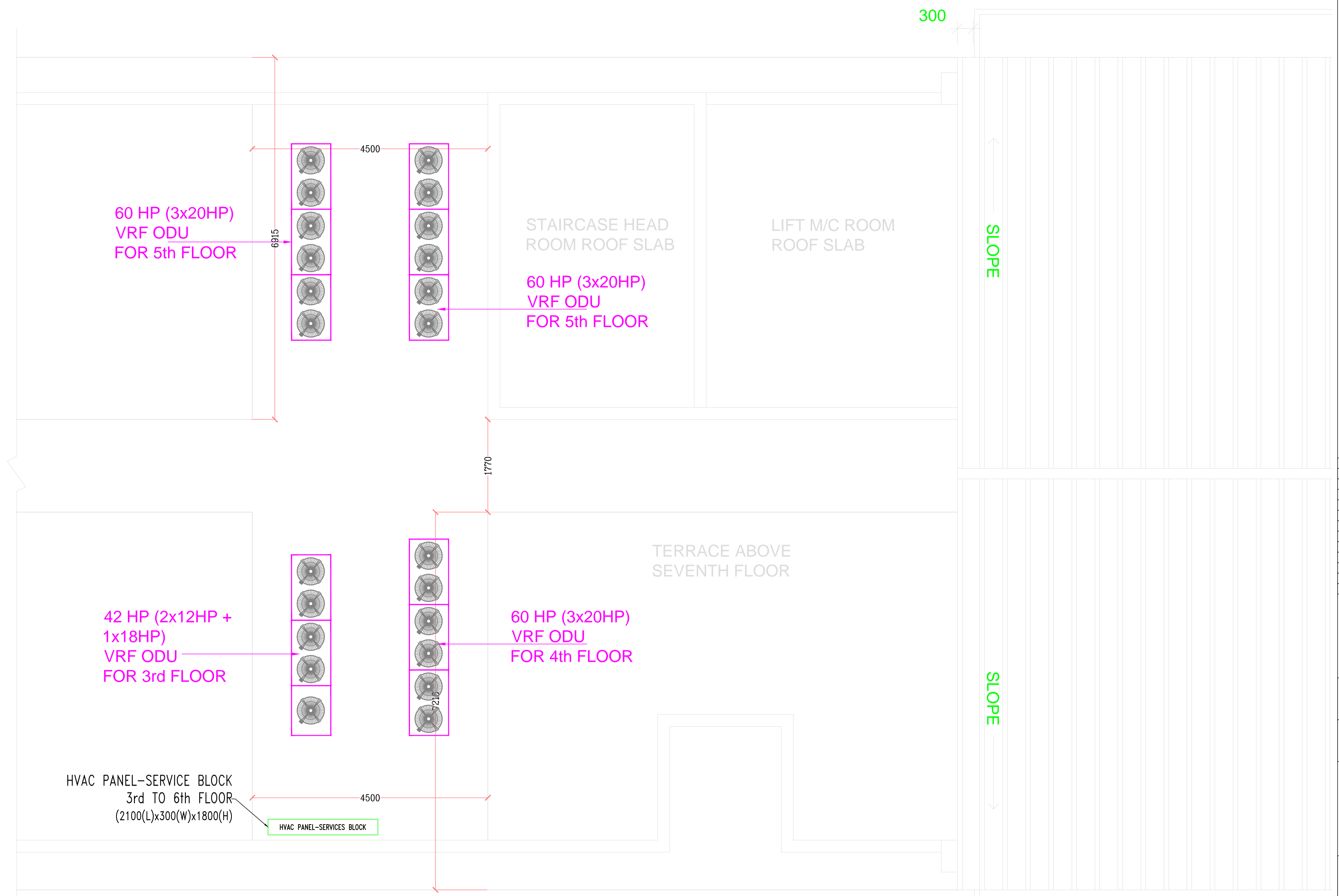
SERVICE :- ELECTRICAL

SCALE	DATE	DRWN BY	CHECKED BY	Authorised	PROJECT No.
1:40	02.12.2016	SJN	HR	PS	124300019

DRAWING No.  
**INI-MD-SER-BLO-EL-HVAC-SLD-01**  
 SHEET - 1 OF 1

REV.	R2	SHEET SIZE	A1
------	----	------------	----





RO No.	DATE	ISSUED FOR APPROVAL	SJN	HR

NO.	DATE	DESCRIPTION	DRN	CHK

KEYPLAN

PROJECT  
MAZGAON DOCK HOUSE OFFICE BUILDING

CLIENT  
MAZGAON DOCK SHIPBUILDERS LTD  
AT MUMBAI

MEFP CONSULTANTS

**INI INFRASTRUCTURE & ENGINEERING**  
(Formerly Sheth Techno Consultants)  
72, Tilaram, Corporate Road, Sion, Mumbai-400015  
Phone: +91 22 40640000 Fax: +91 22 40640099  
email: Engineering@ininfrastructure.com  
web: www.ininfrastructure.com

INI INFRASTRUCTURE & ENGINEERING  
Mumbai Office  
Atmestedad | Mumbai | Pune | Kolkata

**INI INFRASTRUCTURE & ENGINEERING**  
(Formerly Sheth Techno Consultants)  
610, SANGHVI BUSINESS PARK  
Bandra Gore Nagar Phase Pump, Opp. Chhatra Theatre,  
Off. Andheri West Rd., Andheri East, Mumbai-400059  
Phone: +91 22 4513 9854, 4120 0787

ARCHITECT  
**RATAN J. BATLIBOI-ARCHITECTS PVT. LTD.**  
233-D BHARAT RICE MILL COMPOUND  
DR. SS ROAD ROAD, LALBAAG, MUMBAI-400 012  
TEL : 91-22-40640000 FAX: 91-22-40640099

INI PROJECT No. :

PARCEL NAME :

BUILDING NAME :

DRAWING TITLE  
SERVICE BLOCK  
HVAC PANEL LAYOUT

SERVICE :- ELECTRICAL

SCALE	DATE	DRAWN BY	CHECKED BY	Authorised	PROJECT No.
1:40	02.02.2017	SJN	HR	PS	124300019

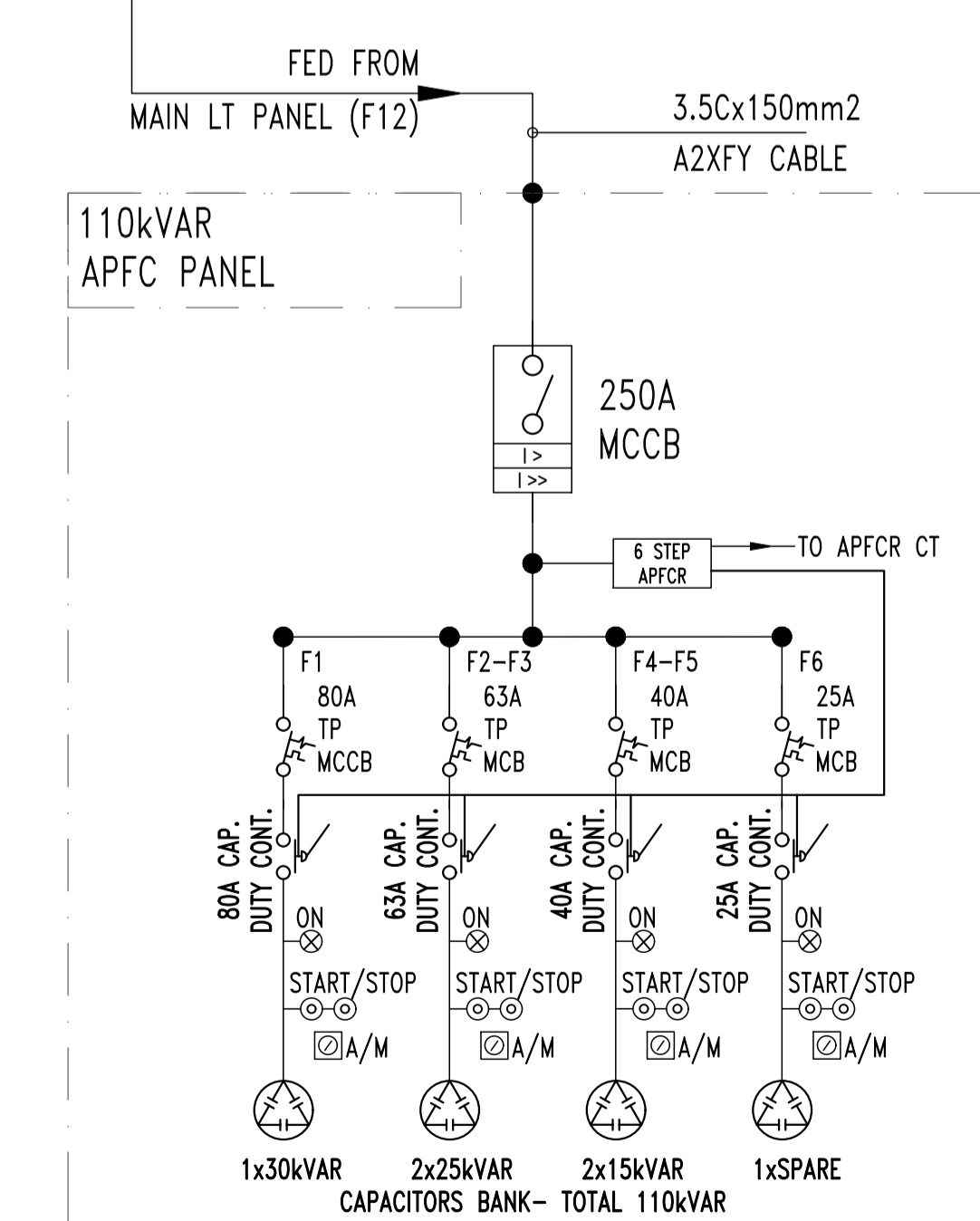
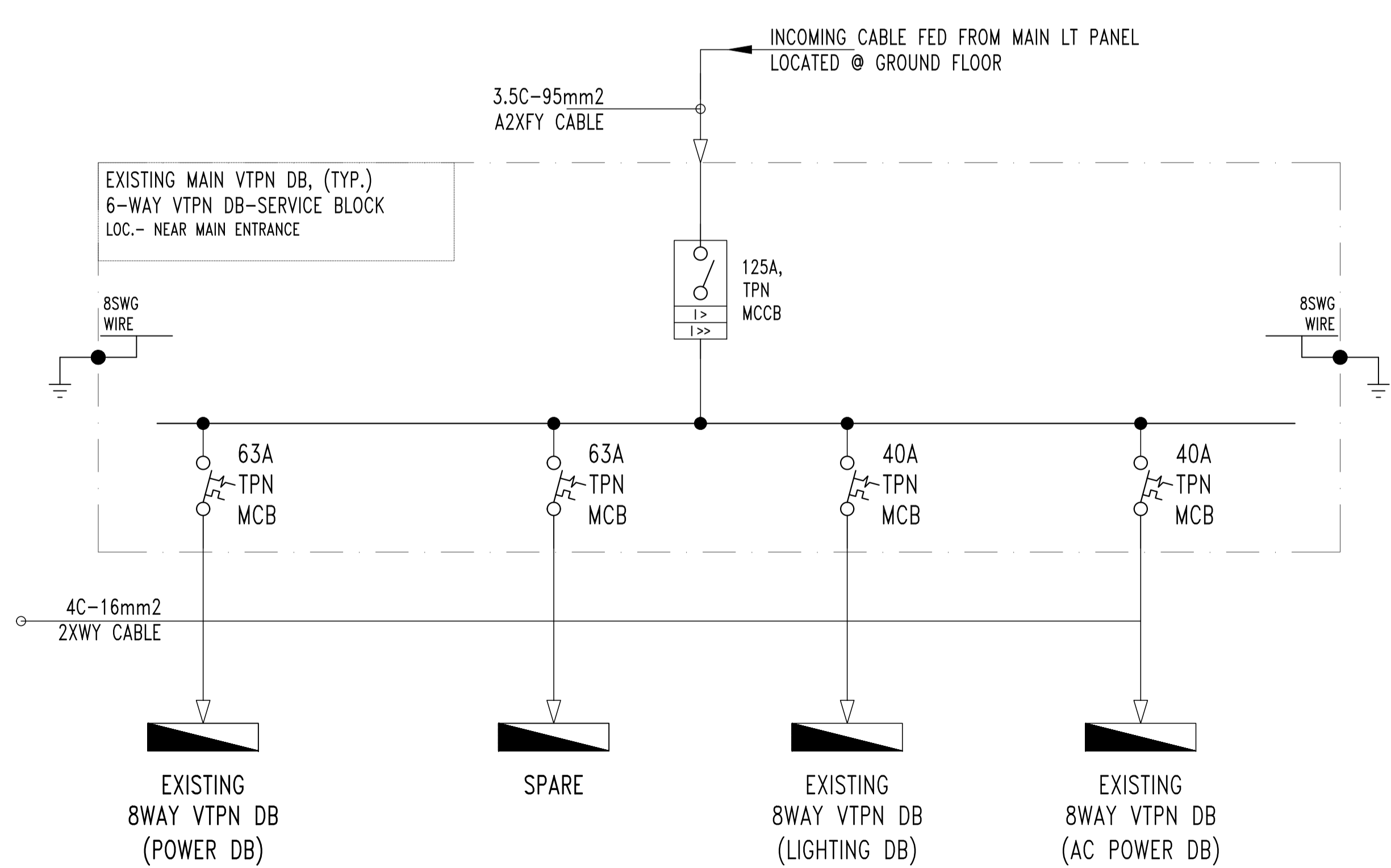
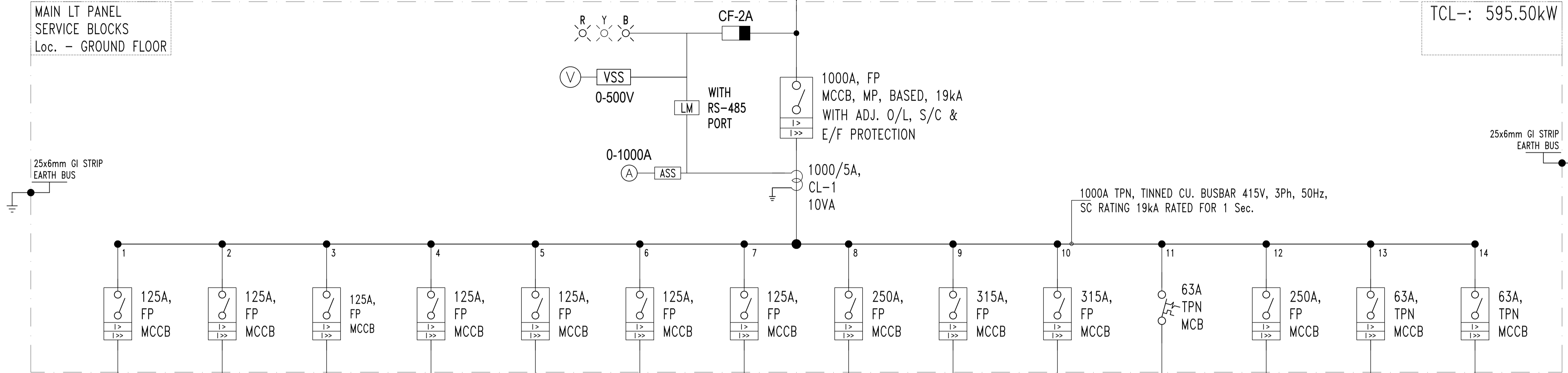
DRAWING No.  
INI-MD-SER-BLO-EL-HVAC-PNL-01  
SHEET - 1 OF 1

REV.	RO	SHEET SIZE	A1

INCOMING SUPPLY  
SHALL BE CONFIRM BY MDL

MAIN LT PANEL  
SERVICE BLOCKS  
Loc. - GROUND FLOOR

TCL:- 595.50kW



No.	DATE	DESCRIPTION	DRN	CHK
R1	05.01.2017	REV. AS PER MEETING DATED ON 04.01.17	SUN	HR
RO	28.12.2016	ISSUED FOR APPROVAL	SUN	HR

REV.	DATE	BY	CHECKED BY	AUTHORIZED	PROJECT No.
NTS	28.12.2016	SUN	HR	PS	124300019

PROJECT  
MAZGAON DOCK HOUSE OFFICE BUILDING

CLIENT  
MAZGAON DOCK SHIPBUILDERS LTD AT MUMBAI

MEPF CONSULTANTS  
INI INFRASTRUCTURE & ENGINEERING  
(Formerly Sheth Techno Consultants)  
72, Tarapur, Corporate Road, Satellite, Ahmedabad 380015  
Phone: +91 79 60028511/12/13 Fax: +91 79 60028573  
Email: Engineering@ininfrastructure.com, www.ininfrastructure.com

ARCHITECT  
RATAN J. BATLIBOI-ARCHITECTS PVT. LTD.  
233-D BHARAT RICE MILL COMPOUND  
DR. S.S. ROAD, LALEBAUG, MUMBAI 400 012  
T.E.L.: 91-22-40640000 FAX: 91-22-40640099

INI PROJECT No.:

PARCEL NAME:

BUILDING NAME:

DRAWING TITLE  
SERVICE BLOCK AREA  
MAIN LT PANEL  
SINGLE LINE DIAGRAM

SERVICE :- ELECTRICAL

REV. R1 SHEET SIZE A1