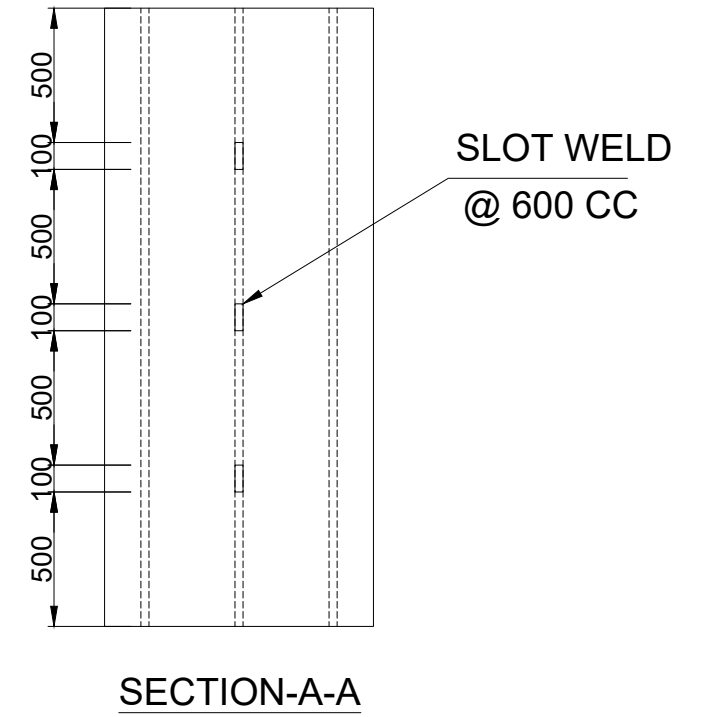
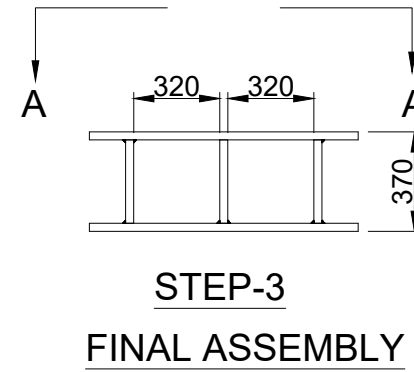
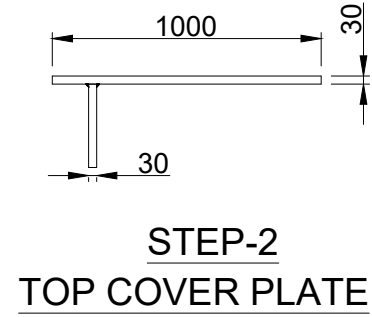
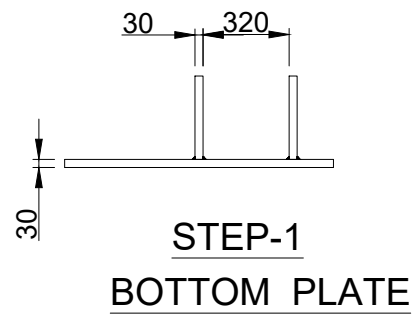
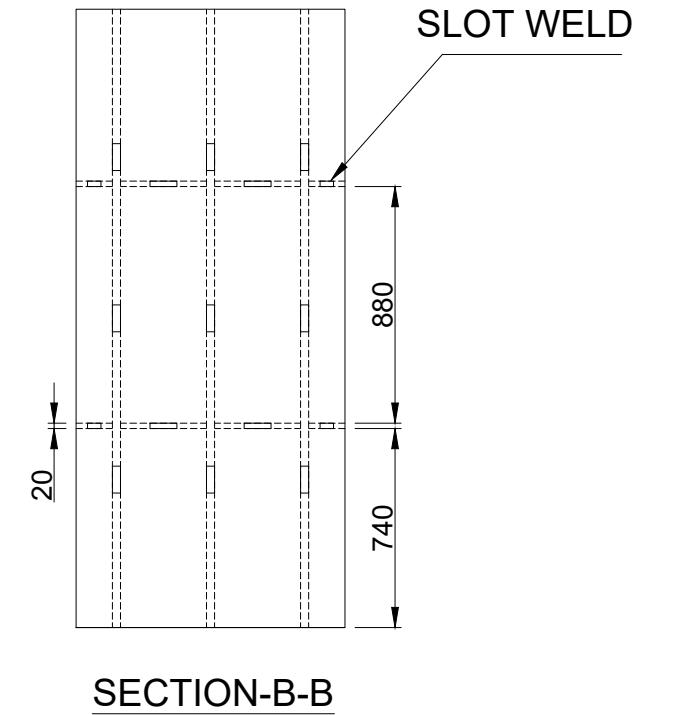
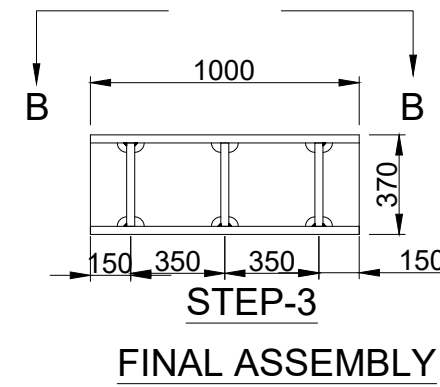
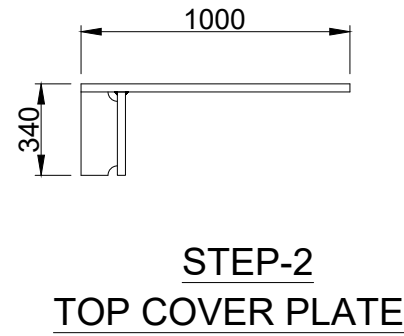
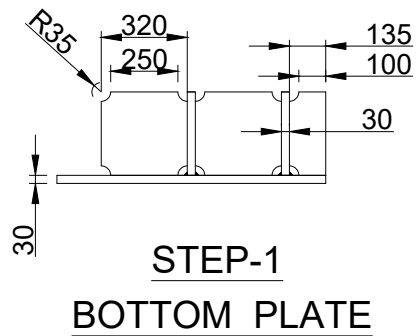


## LONGITUDINAL GIRDER WITH COVER PLATE



## TRANSVERSE GIRDER WITH COVER PLATE



### NOTES:

- 1) All dimensions are in mm unless otherwise specified.
- 2) The vertical dimension will be matching the overall height in slot weld area.
- 3) Backing strips to be used for welding the inside of side longitudinal webs.

RELEASED FOR:			
<input type="checkbox"/>	Approval / Review		
<input checked="" type="checkbox"/>	Tender / Contract		
<input type="checkbox"/>	Execution		
<input type="checkbox"/>	As Built		
RD	22/08/17	ISSUED FOR TENDER	VW VPT MPT
REV	DATE	ISSUED FOR	DRN BY CHK BY APR BY

CLIENT :	MAZAGON DOCK SHIPBUILDERS LIMITED Dockyard Road, Mumbai - 400010				
DESIGN BY :	SEA SYST ENGINEERING (I) Pvt. Ltd. CBD BELAPUR, NAVI MUMBAI.				
CIVIL ENGG JV PARTNER :	ACE ENGINEERING CONSULTANCY & SERVICES No. 51-52, CENTURY PARK, TANK BUND ROAD, MYSORE-570 010				
DRN. BY	VW 22/08/17	PROJECT :	SUBMARINE LAUNCHING FACILITY AT ALCOCK YARD	DRAWING NO.	MDL-SLF/SSE/TD/LB/002
CHK. BY	VPT 22/08/17	TITLE :	FABRICATION SEQUENCE FOR LIFTING BEAM	SHEET NO.	1 OF 1
APP. BY	MPT 22/08/17				
SHEET	A3	SCALE			
PO NO :					